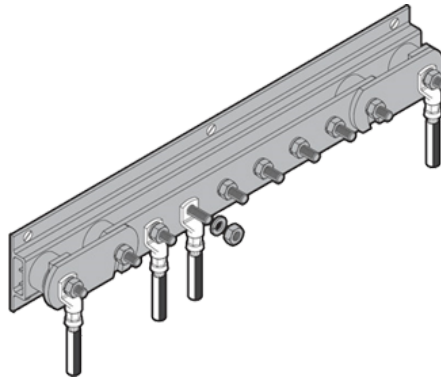


Earth Bar



Description Overview

Earth Bar with twin disconnecting link.

** Please note that the product may differ in appearance, dependant on supplier

**

Key Features

Standards

Construction

QA Lab

Cleveland Cable Test & Training Lab

Our state-of-the-art cable testing facility ensures that every cable meets the highest standards of quality and compliance through continuous, rigorous testing. Where applicable, cables are independently tested and certified by BASEC to ensure full compliance.



CPR

Cleveland Cable Company is committed to compliance with the Construction Products Regulation (CPR). Where applicable, all cables manufactured after 1st July 2017 have been assessed in accordance with CPR requirements, with full supporting documentation available.



Our Sustainability Commitment

We are committed to the journey to Net Zero as a business partner, an employer and a community member.

By thinking and acting sustainably, we deliver excellent customer service while reducing carbon emissions in collaboration with our customers and suppliers.



ecovadis

Cleveland Cable Company has been independently assessed by EcoVadis, a globally recognised provider of business sustainability ratings. Our score places us among the top 35% of companies evaluated worldwide, reflecting our strong commitment to environmental, social, and ethical performance

ecovadis

Earth Bar - Dimensions

Reference
EB

THE INFORMATION CONTAINED WITHIN THIS DATASHEET IS FOR GUIDANCE ONLY AND IS SUBJECT TO CHANGE WITHOUT NOTICE OR LIABILITY. WE BELIEVE THE INFORMATION IS CORRECT AT THE TIME OF PUBLICATION. PLEASE NOTE WHEN SELECTING CABLE ACCESSORIES THAT ACTUAL CABLE DIMENSIONS MAY VARY DUE TO MANUFACTURING TOLERANCES.